

info@ansutek.co.nz
www.ansutek.co.nz
www.ansutekbiz.co.nz

Designed for Static and Dynamic Applications Such as Tank and Vessel Weighing

Crafted from either alloy steel or stainless steel, the i-TMF weighing module arrives pre-assembled for effortless installation. It is highly suitable for applications in tank weighing, level measurement, and vessel weighing systems.

Unique Features:

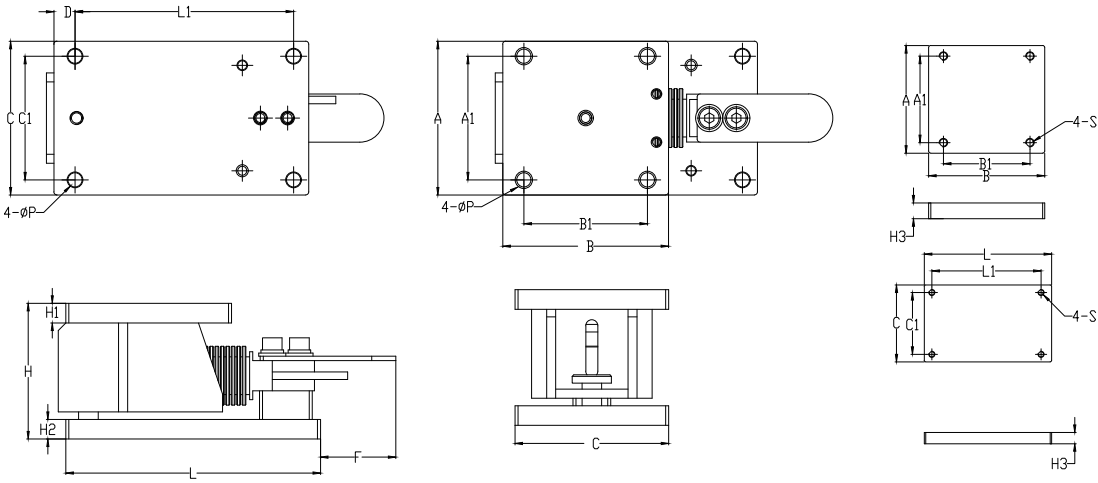
- Choose between alloy steel load cell with mounting kit or stainless steel load cell with mounting kit for static and dynamic applications. The self-centering rocker pin guarantees repeatability.
- 360° self-checking feature ensures comprehensive monitoring while lift-off and down stops enhance precision. i-TMF weighing module covers a capacity range from 10kg to 500kg.
- Simple installation options available for weighing module, allowing installation with or without load cell. Effortless maintenance - load cell is easily removable or installable with minimal lifting.

i-TMF Series Weighing Modules

Trooper series	i-TMF	i-TMFS
Weighing module material	Alloy steel, Powder-cated	304 stainless steel, Electropolished
Rated capacity	10kg/20kg/30kg/50kg/100kg/ 200kg/300kg/500kg	
Load cell model	LBZ2-CS	LBZ2-SS
Load cell material	Alloy steel, hermetically sealed	Stainless steel, hermetically sealed
IP Rating	IP68	IP68
Accuracy class	C3	
Maximum number of load cell intervals (nLC)	3,000	
Ratio of minimum LC verification interval Y = Emax / vmin	10,000	
Combined error (%FS)	≤ ±0.020	± 0.023
Creep (%FS/30min)	≤ ±0.016	
Temperature effect on sensitivity (%FS/10 °C)	≤ ±0.011	
Temperature effect on zero (%FS/10 °C)	≤ ±0.015	
Output sensitivity (mV/V)	2.0 ±0.02	2.0 ±0.02
Input resistance (Ω)	460±50	460±50
Output resistance (Ω)	350 ±3.5	350 ±3.5
Insulation resistance (MΩ)	≥ 5000 (50VDC)	
Zero balance (%FS)	≤ ±1.0	
Compensated temperature (°C)	-10 ~ +40	
Operating temperature (°C)	-35 ~ +65	
Excitation, recommended voltage (V)	5~12 (DC)	
Excitation maximum (V)	18 (DC)	
Safe overload (%FS)	150	
Ultimate overload (%FS)	300	
Cable length	3 m	

Accessories

Mounting Plate Set, TMFS 10-200kg SS	30904118
Mounting Plate Set, TMFS 300-500kg SS	30904119
Mounting Plate Set, TMF 10-200kg CS	30904120
Mounting Plate Set, TMF 300-500kg CS	30904121



Product Type	Material	Capacity (kg)	C1	D	L1	P	B	B1	H1	H2	H	L	F	A	A1	C	C1	H3	S
i-TMFS10	Electropolished 304 Stainless Steel	10	82	14	145	9.5	110	82	13	13	90	169	50	102	82	102	82	15	M8
i-TMFS20		20	82	14	145	9.5	110	82	13	13	90	169	50	102	82	102	82	15	M8
i-TMFS30		30	82	14	145	9.5	110	82	13	13	90	169	50	102	82	102	82	15	M8
i-TMFS50		50	82	14	145	9.5	110	82	13	13	90	169	50	102	82	102	82	15	M8
i-TMFS100		100	82	14	145	9.5	110	82	13	13	90	169	50	102	82	102	82	15	M8
i-TMFS200		200	82	14	145	9.5	110	82	13	13	90	169	50	102	82	102	82	15	M8
i-TMFS300		300	89	13	152.4	11.5	115	89	13	13	90	178.4	53.1	115	89	115	89	15	M10
i-TMFS500	500	89	13	152.4	11.5	115	89	13	13	90	178.4	53.1	115	89	115	89	15	M10	
i-TMF10	Powder coated Q345 Steel	10	82	14	145	9.5	110	82	13	13	90	169	50	102	82	102	82	15	M8
i-TMF20		20	82	14	145	9.5	110	82	13	13	90	169	50	102	82	102	82	15	M8
i-TMF30		30	82	14	145	9.5	110	82	13	13	90	169	50	102	82	102	82	15	M8
i-TMF50		50	82	14	145	9.5	110	82	13	13	90	169	50	102	82	102	82	15	M8
i-TMF100		100	82	14	145	9.5	110	82	13	13	90	169	50	102	82	102	82	15	M8
i-TMF200		200	82	14	145	9.5	110	82	13	13	90	169	50	102	82	102	82	15	M8
i-TMF300		300	89	13	152.4	11.5	115	89	13	13	90	178.4	53.1	115	89	115	89	15	M10
i-TMF500	500	89	13	152.4	11.5	115	89	13	13	90	178.4	53.1	115	89	115	89	15	M10	

80776910_A 20240315 © Copyright OHAUS Corporation



info@ansutek.co.nz
www.ansutek.co.nz
www.ansutekbiz.co.nz

The management system governing the manufacture of this product is ISO 9001:2015 certified.

